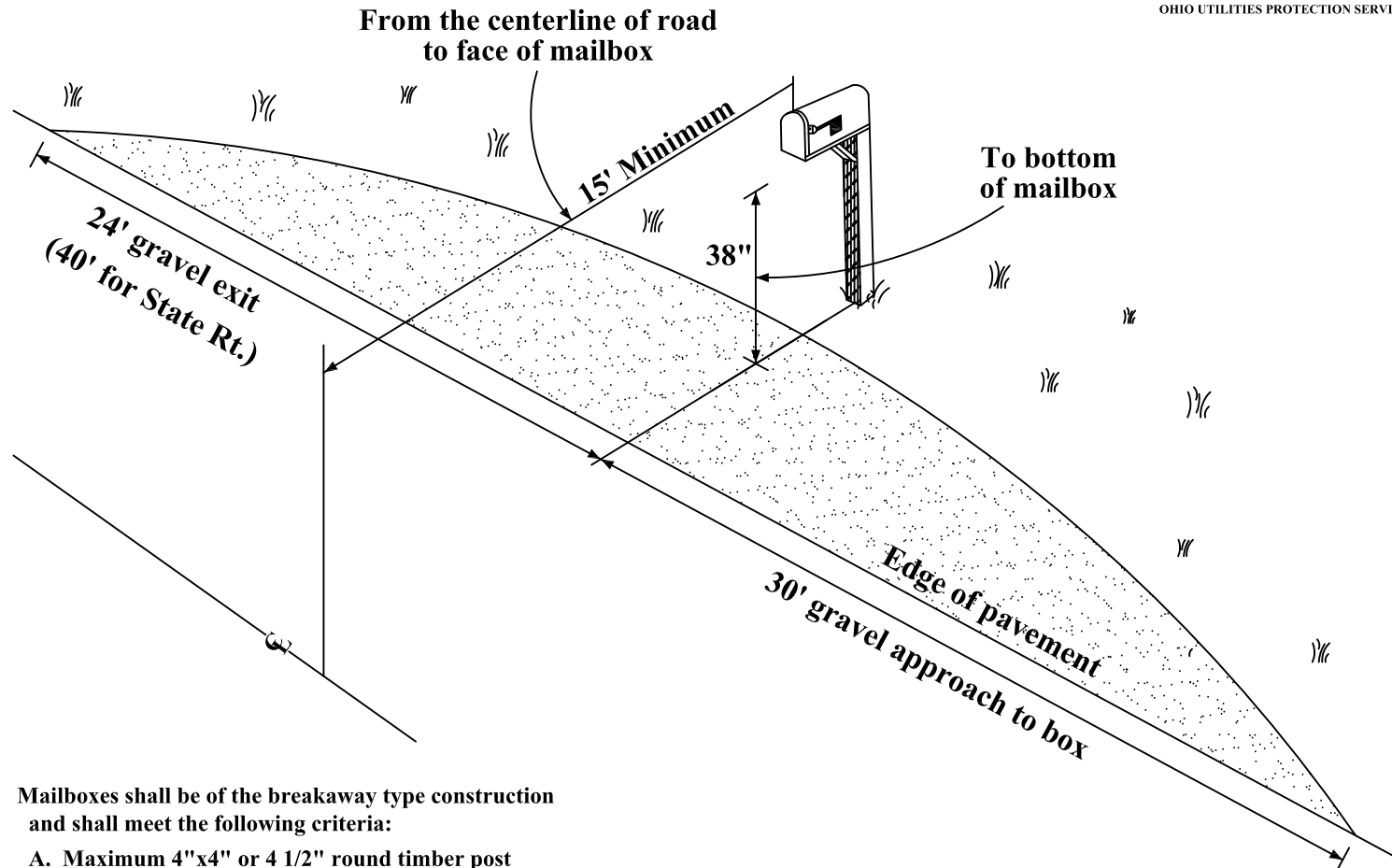


UNDERGROUND UTILITIES
 CALL
 2 WORKING DAYS
 BEFORE YOU DIG
 CALL TOLL FREE 800-362-2764
 OHIO UTILITIES PROTECTION SERVICE



Mailboxes shall be of the breakaway type construction and shall meet the following criteria:

- A. Maximum 4"x4" or 4 1/2" round timber post
- B. Maximum 2" I.D. nominal pipe size steel post
- C. Boxes shall be no larger or heavier than the U.S. postal standards.

MAILBOX POSTS SHALL NOT BE SET IN CONCRETE!!

SUGGESTED MAILBOX INSTALLATION

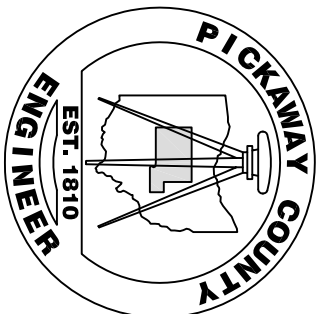
Pickaway County Engineer

Dep. Pickaway County Engineer

Approved:

Revised

**Suggested
Mailbox Installation**



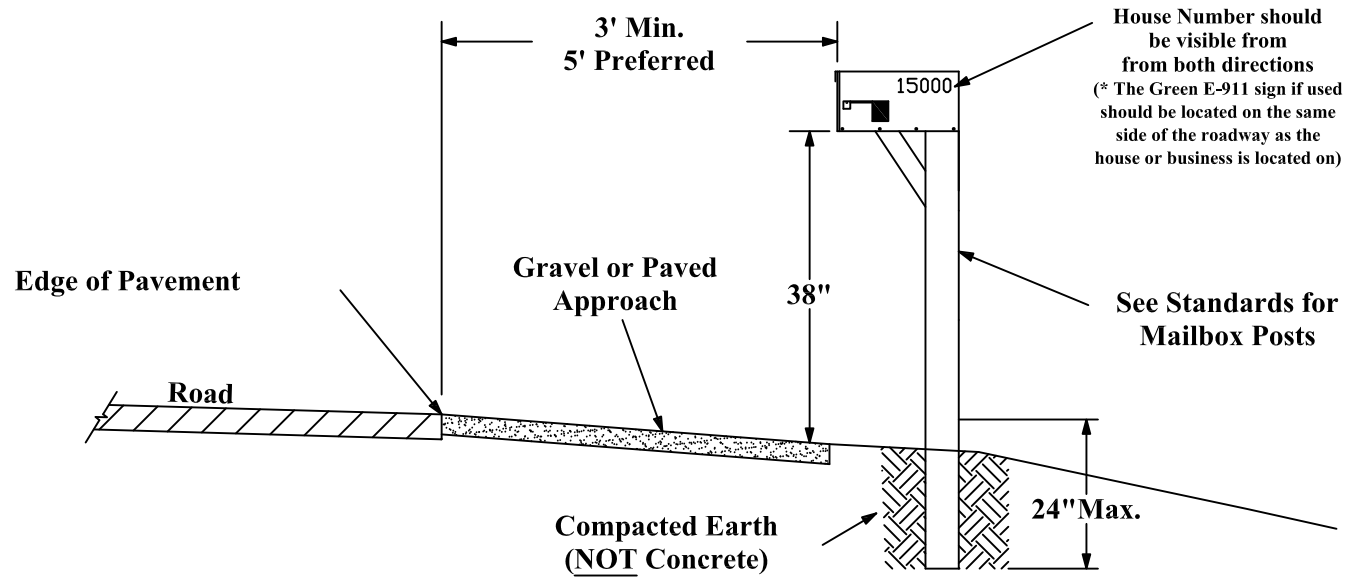
UNDERGROUND UTILITIES
 CALL
 2 WORKING DAYS
 BEFORE YOU DIG

CALL TOLL FREE 800-362-2764
 OHIO UTILITIES PROTECTION SERVICE

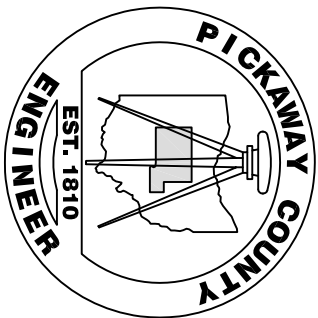
Mailboxes shall be of the breakaway type construction and shall meet the following criteria:

- A. Maximum 4"x4" or 4 1/2" round timber post
- B. Maximum 2" I.D. nominal pipe size steel post
- C. Boxes shall be no larger or heavier than the U.S. postal standards.

MAILBOX POSTS SHALL NOT BE SET IN CONCRETE!!



SUGGESTION FOR URBAN/RURAL ROADSIDE MAILBOX

Revised	Approved:	Dep. Pickaway County Engineer	Pickaway County Engineer
Suggested Urban/Rural Mailbox Installation			
			

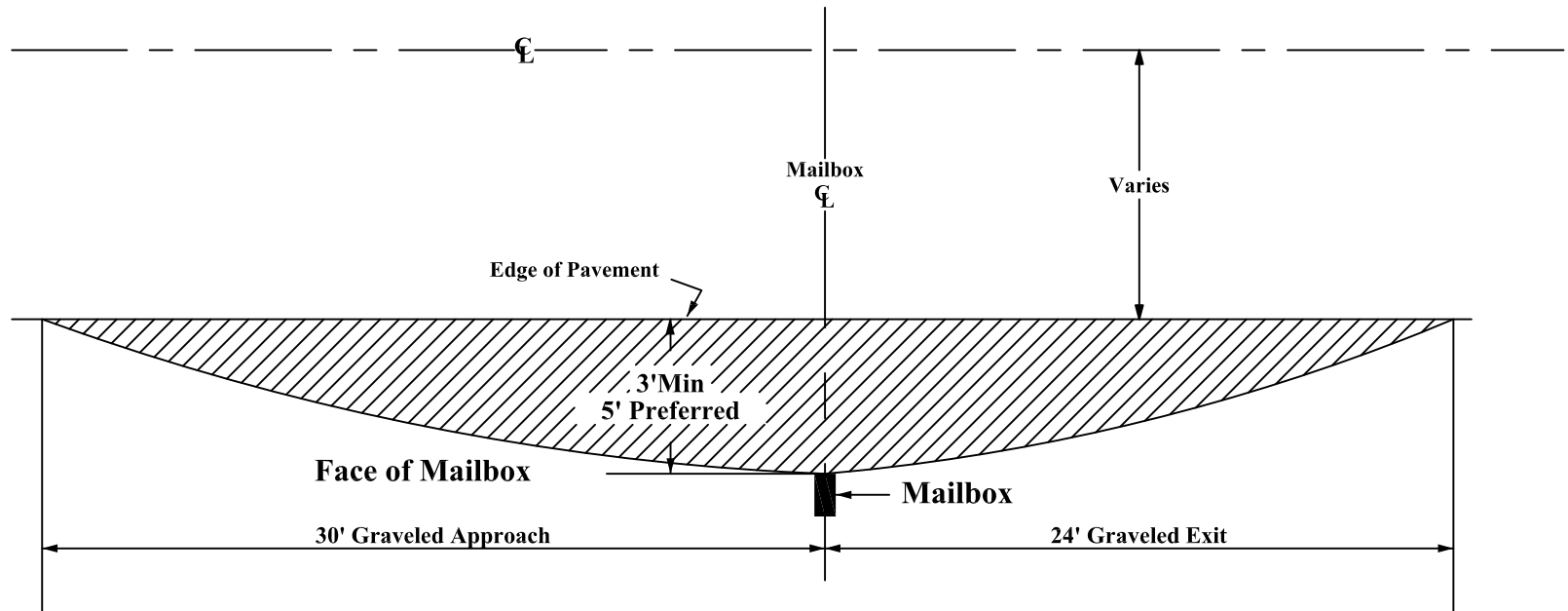
UNDERGROUND UTILITIES
 CALL
2 WORKING DAYS
BEFORE YOU DIG

CALL TOLL FREE 800-362-2764
 OHIO UTILITIES PROTECTION SERVICE

Mailboxes shall be of the breakaway type construction and shall meet the following criteria:

- A. Maximum 4"x4" or 4 1/2" round timber post
- B. Maximum 2" I.D. nominal pipe size steel post
- C. Boxes shall be no larger or heavier than the U.S. postal standards.

MAILBOX POSTS SHALL NOT BE SET IN CONCRETE!!



SUGGESTED MAILBOX APPROACH

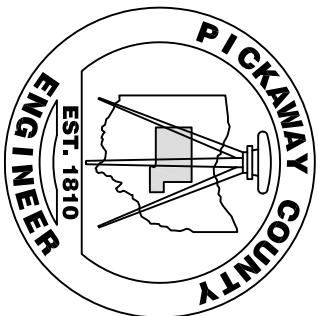
Pickaway County Engineer

Dep. Pickaway County Engineer

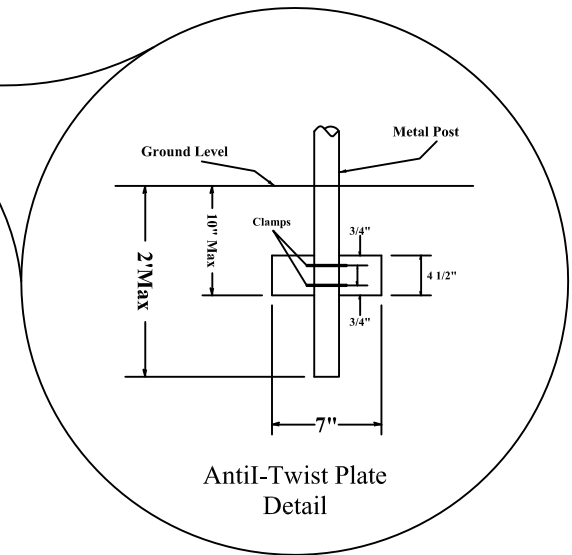
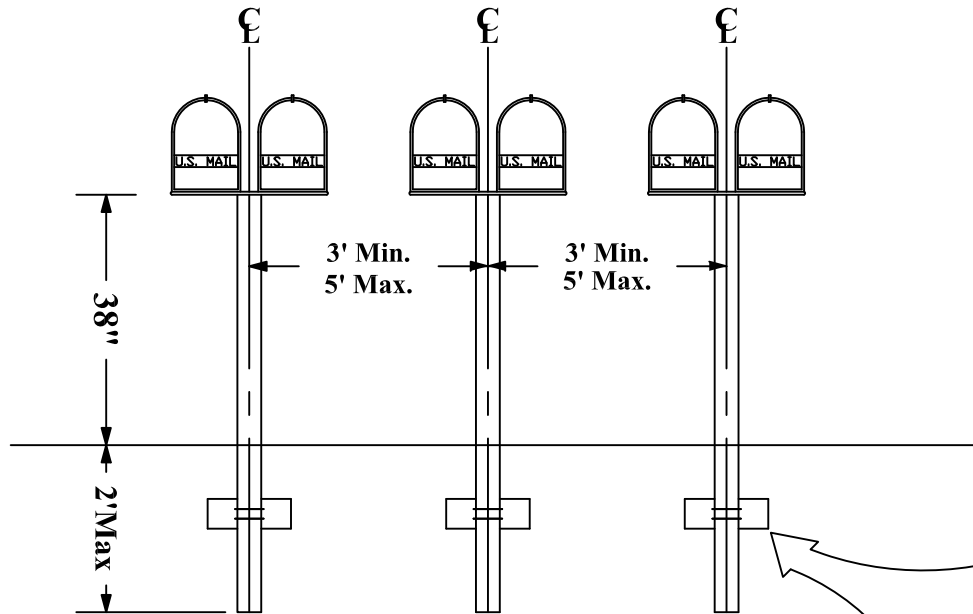
Approved:

Revised

**Mailbox Approach
 Suggestion**



UNDERGROUND UTILITIES
 CALL
2 WORKING DAYS
BEFORE YOU DIG
 CALL TOLL FREE 800-362-2764
 OHIO UTILITIES PROTECTION SERVICE



Mailboxes shall be of the breakaway type construction and shall meet the following criteria:

- A. Maximum 4"x4" or 4 1/2" round timber post
- B. Maximum 2" I.D. nominal pipe size steel post
- C. Boxes shall be no larger or heavier than the U.S. postal standards.

MAILBOX POSTS SHALL NOT BE SET IN CONCRETE!!

GROUP MAILBOXES
WITH ANTI-TWIST PLATES (METAL POSTS ONLY)

Pickaway County Engineer

Dep. Pickaway County Engineer

Approved:

Revised

**Suggested
 Group Mailbox
 Installation**

