

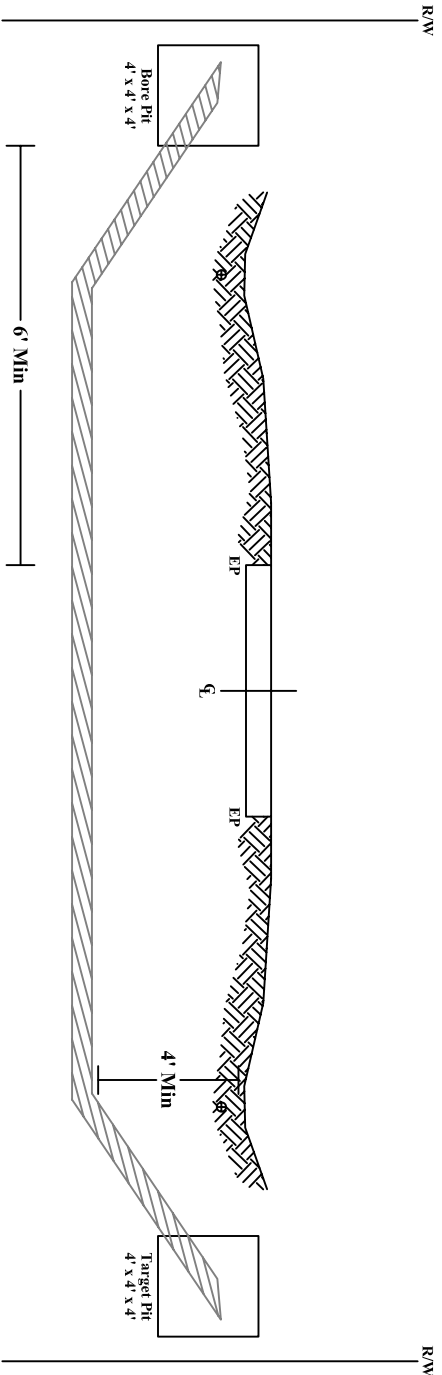
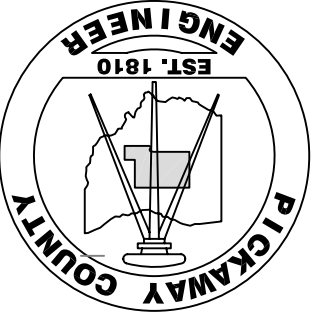
Revised

Approved:
1/22/07

Dep. Pickaway County Engineer

Pickaway County Engineer

Directional Boring Under County Roads



- **Use minimum 3" diameter conduit
- **Place end marker with utility owner's name describing conduit
- **Bore Pit to be backfilled and compacted in 6" lifts with material removed
- **Area shall be seeded according Item 659, unless otherwise specified by County Engineer
- **Flow of ditch must be maintained at all times
- **Any existing tiles damaged shall be replaced with the same size N-12 plastic or similar approved material, including all couplings
- **Pickaway County Engineer Inspector shall be contacted to view open trench prior to placement of any backfill by the contractor

Minimum Standards for Directional Boring Under County Roads

UNDERGROUND UTILITIES
CALL
2 WORKING DAYS
BEFORE YOU DIG
OHIO UTILITIES PROTECTION SERVICE
CALL TOLL FREE 800-362-2764